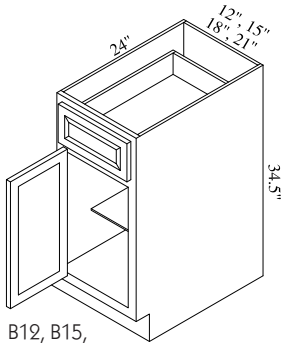
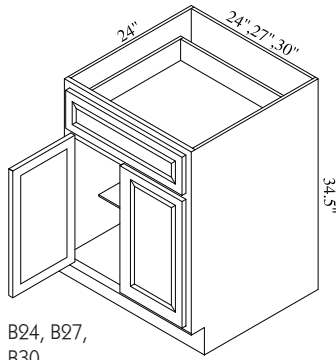


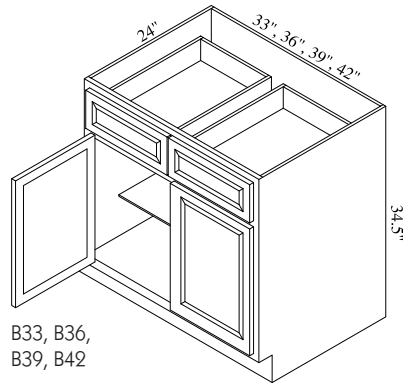
Base Cabinets



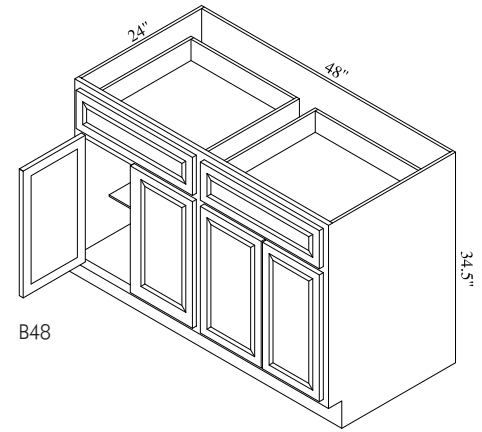
B12, B15,
B18, B21



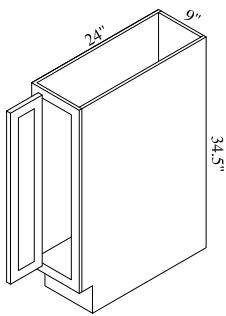
B24, B27,
B30



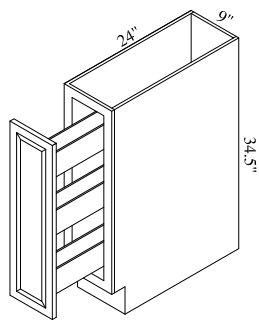
B33, B36,
B39, B42



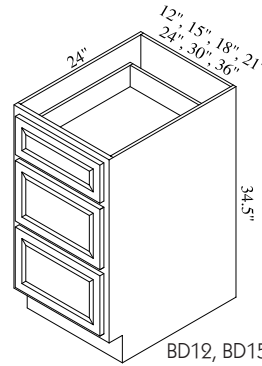
B48



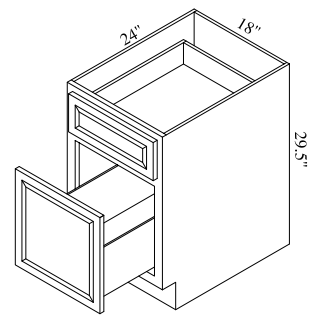
B09FH



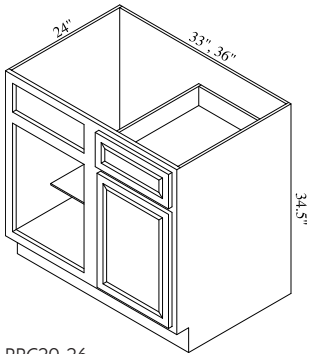
B09SR



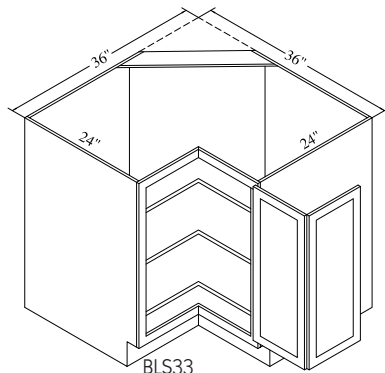
BD12, BD15,
BD18, BD21,
BD24, BD30,
D36



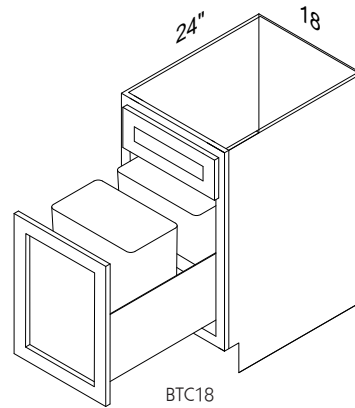
DBD18



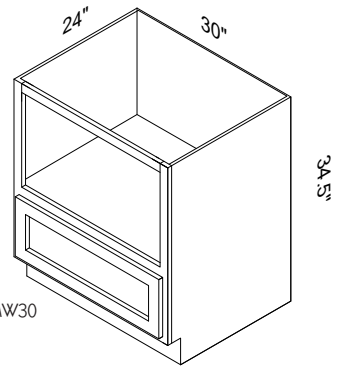
BBC39-36
BBC39-42



BLS33
BLS36

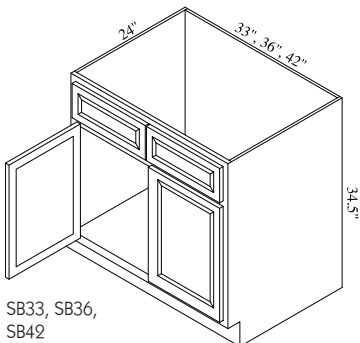


BTC18

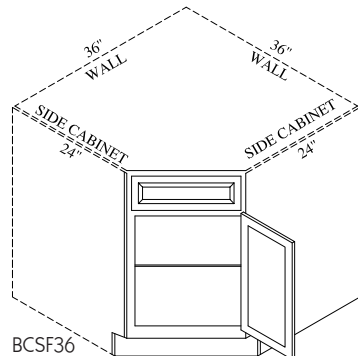


BMW30

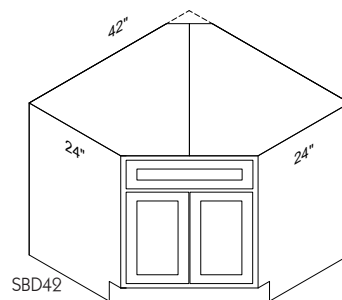
Sink Bases



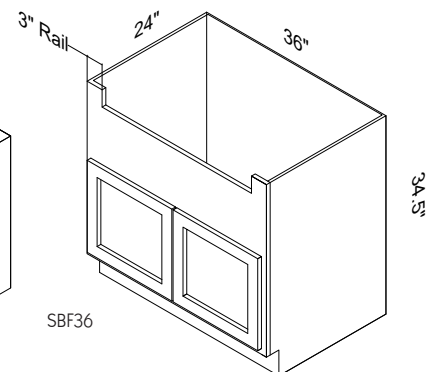
SB33, SB36,
SB42



BCSF36

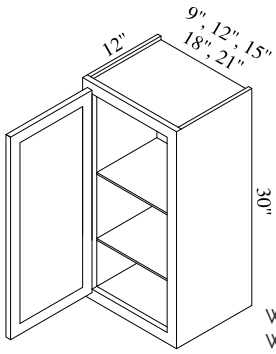


SBD42

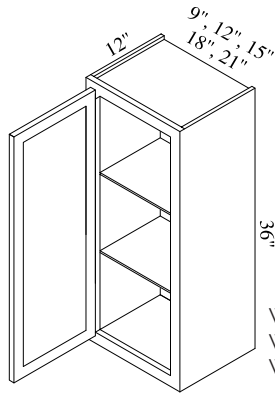


SBF36

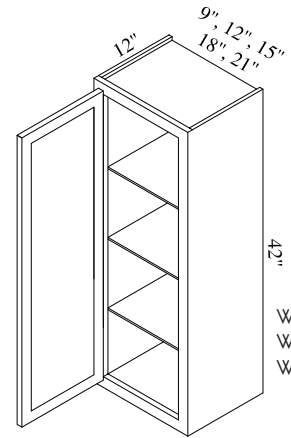
Wall Cabinets



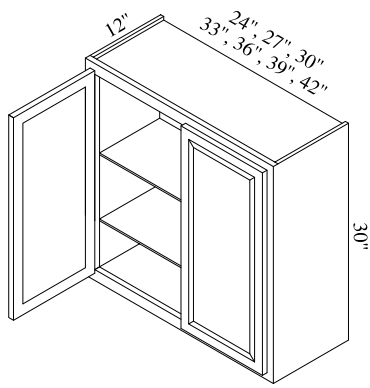
W0930, W1230,
W1530, W1830,
W2130



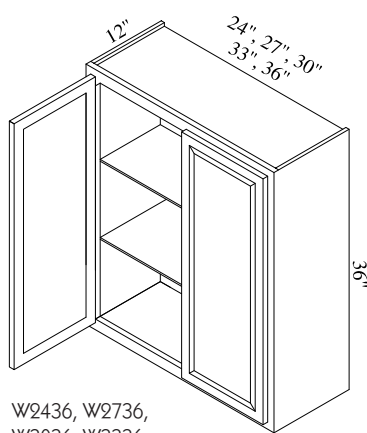
W096, W1236,
W1536, W1836,
W2136



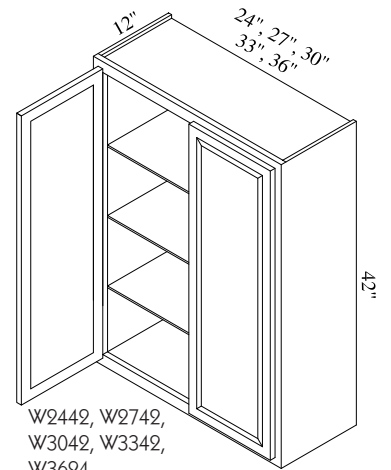
W0942, W1242,
W1542, W1842,
W2142



W2430, W2730,
W3030, W3330,
W3630, W3930,
W4230

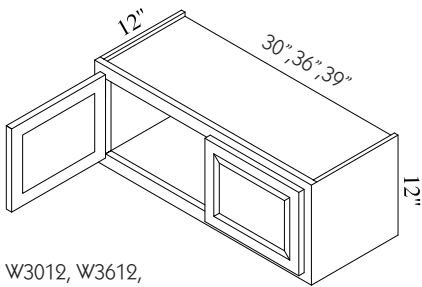


W2436, W2736,
W3036, W3336,
W3636

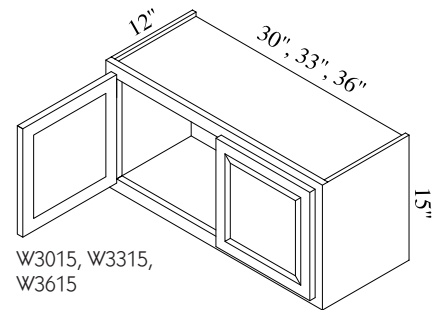


W2442, W2742,
W3042, W3342,
W3624

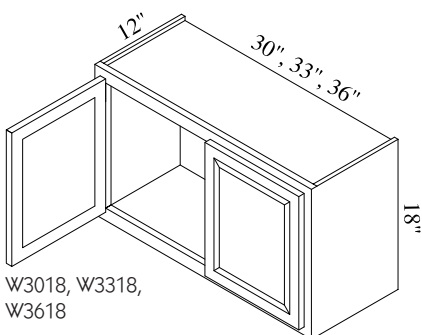
Bridge Cabinets



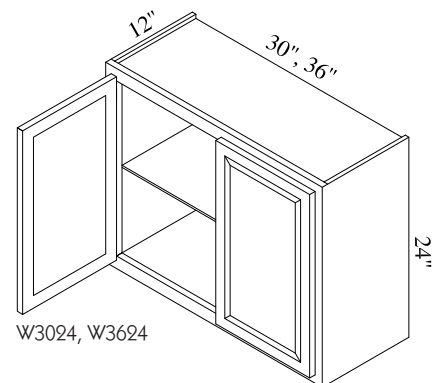
W3012, W3612,
W3912



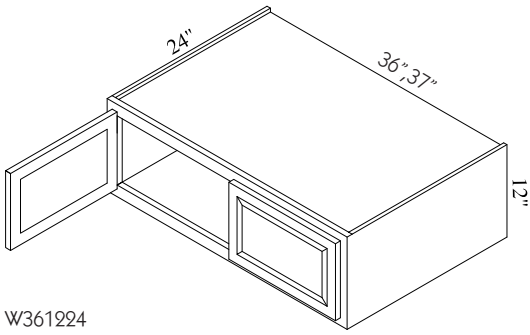
W3015, W3315,
W3615



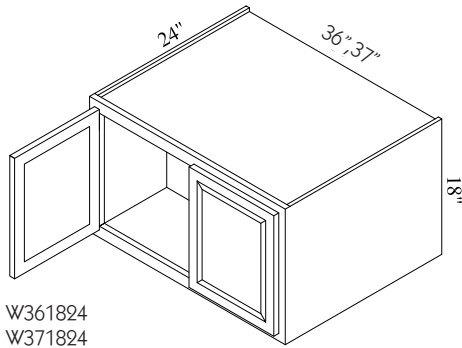
W3018, W3318,
W3618



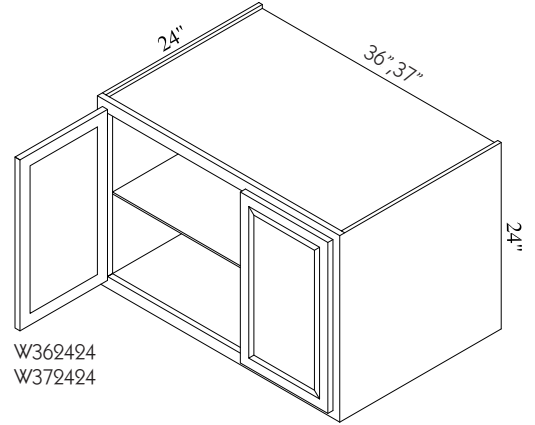
W3024, W3624



W361224
W371224

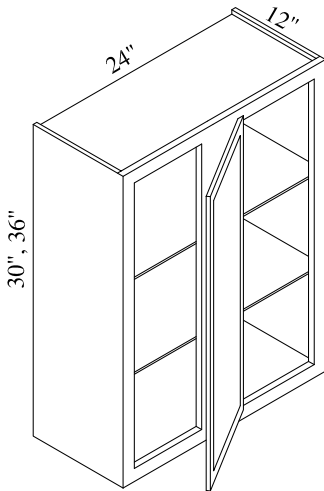


W361824
W371824

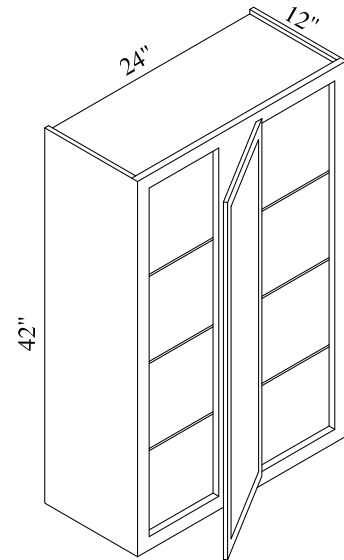


W362424
W372424

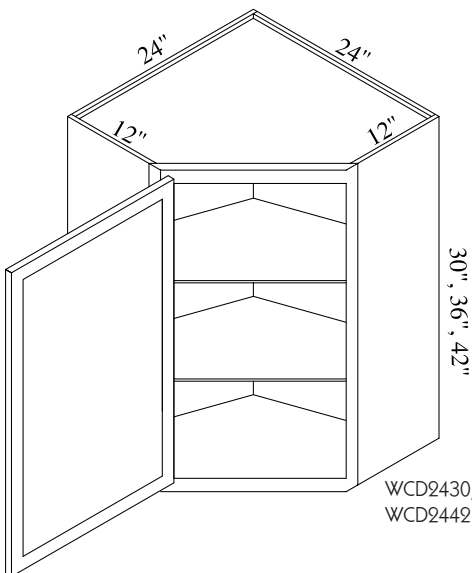
Wall Corner Cabinets



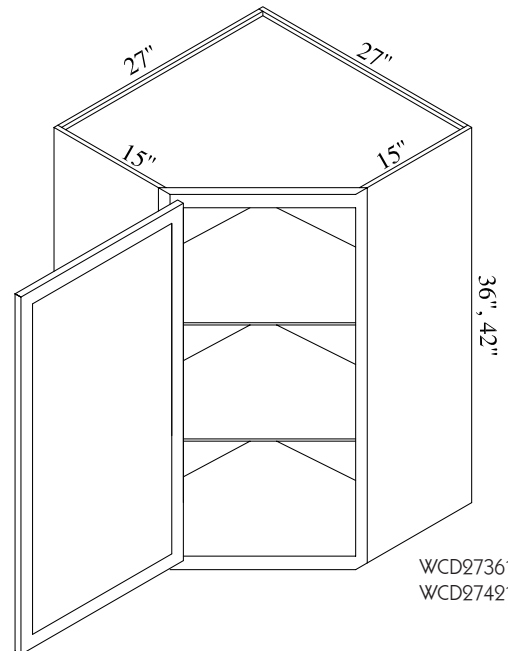
WBC2430,
WBC2436



WBC2442

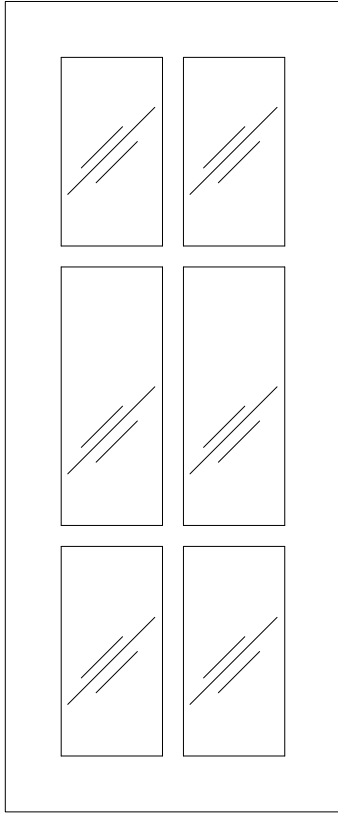


WCD2430, WCD2436,
WCD2442



WCD273615
WCD274215

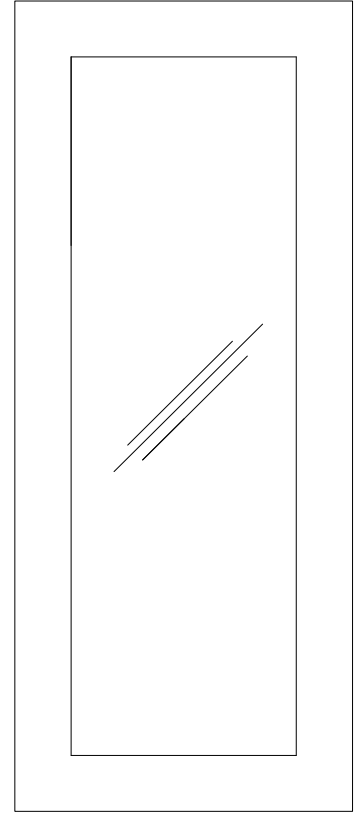
Glass Doors



MDW

Mullion Glass Doors (MDW) are stocked in wall cabinet sizes of 15" - 36" width by 30", 36" and 42" height. Wall diagonals included. Check with your Vision Cabinet Source representative for stock colors.

Open Lite Glass Doors (OLDW) are stocked in wall cabinet sizes of 12" - 36" width by 30", 36" and 42" height. Wall diagonals included. Check with your Vision Cabinet Source representative for stock colors.



OLDW

For Stocked Colors

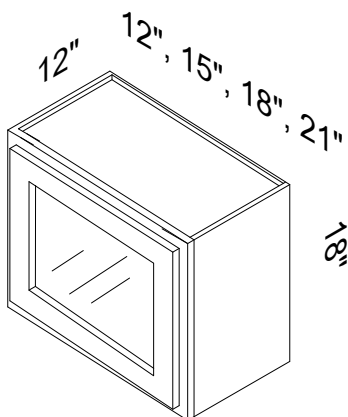
Contact Your Vision Cabinet Service Representative.

Use wall cabinet SKU's to cross reference desired door size.

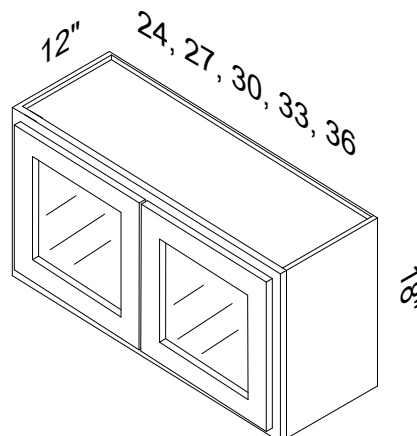
Mullion and Open Lite doors are an additional door purchase to exchange with the door(s) that are standard on your wall cabinets.

All doors are sold as individual doors. Not sets.

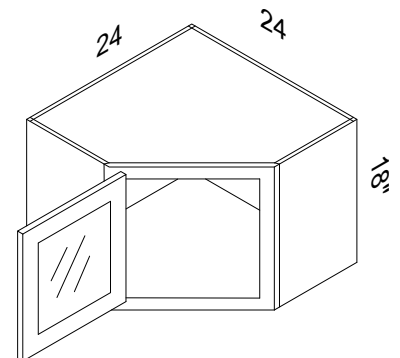
Glass Wall Stacker



GSWXX18



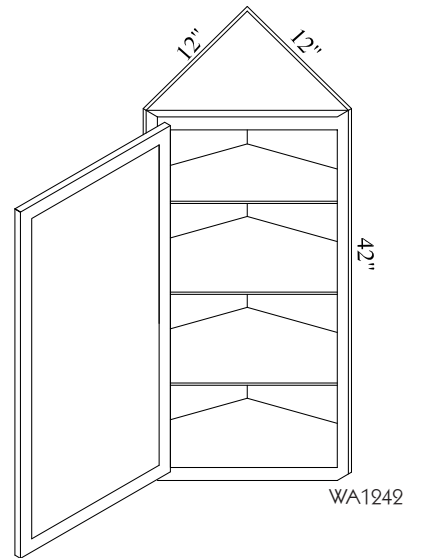
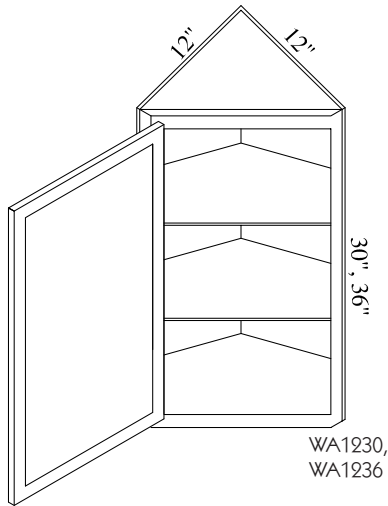
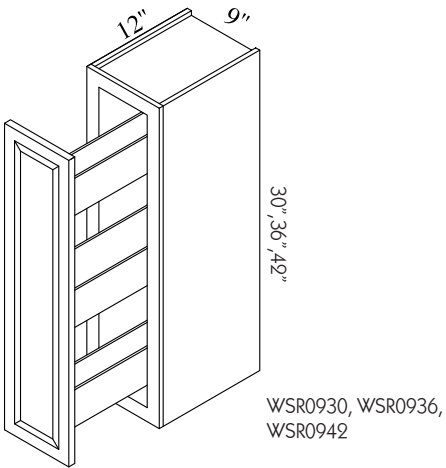
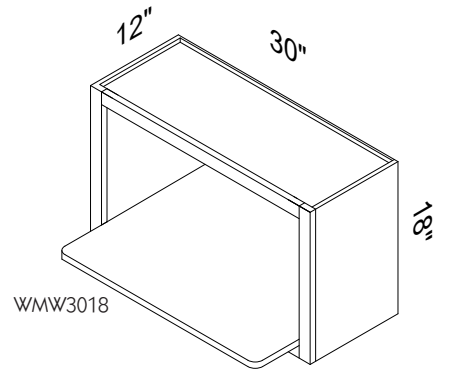
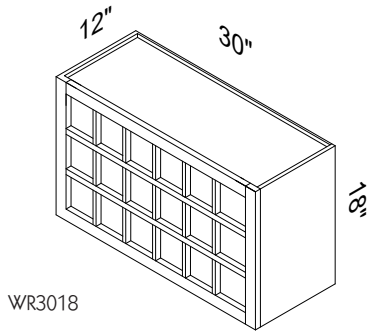
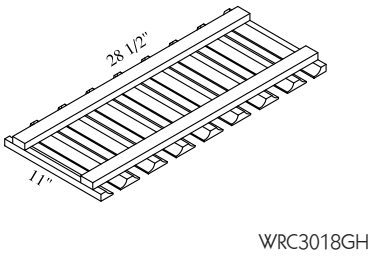
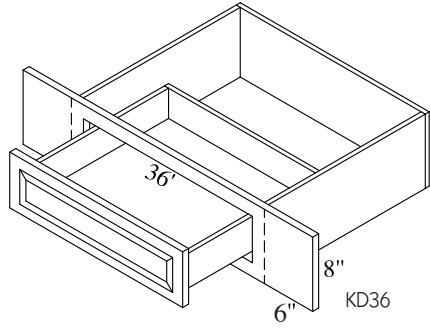
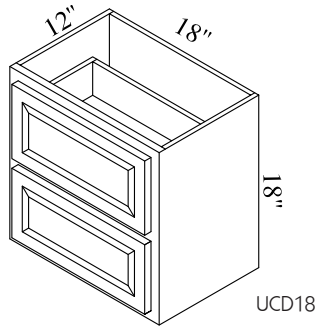
GSWXX18



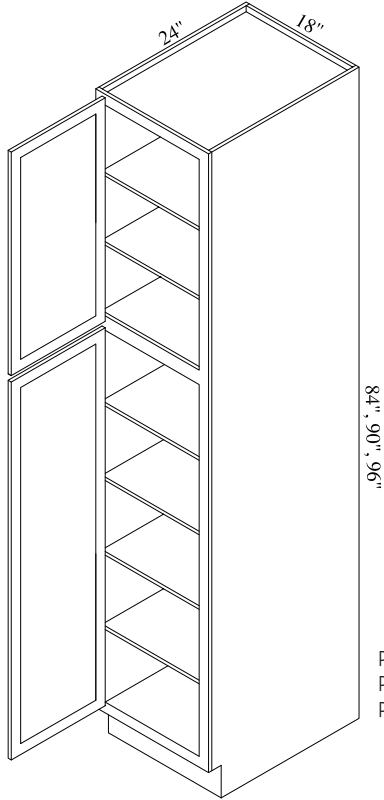
GSWCD242418

Glass Stacker Wall Cabinets (GSW) are stocked in wall cabinet sizes of 12" - 36" width by 18" tall. Wall diagonals included. Check with your Vision Cabinet Source representative for stock colors.

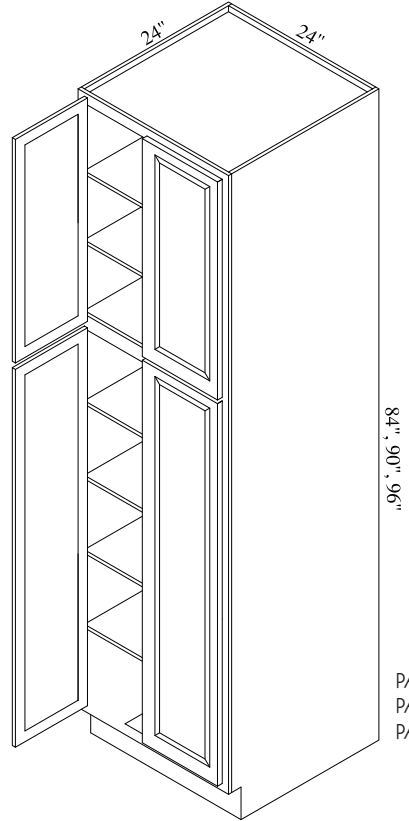
Specialty Cabinets



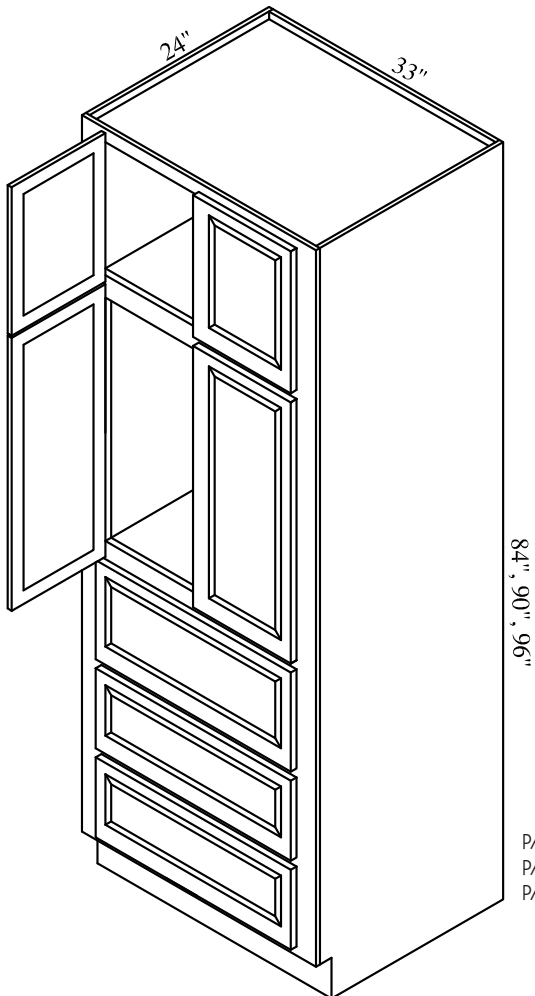
Pantry/Oven Cabinets



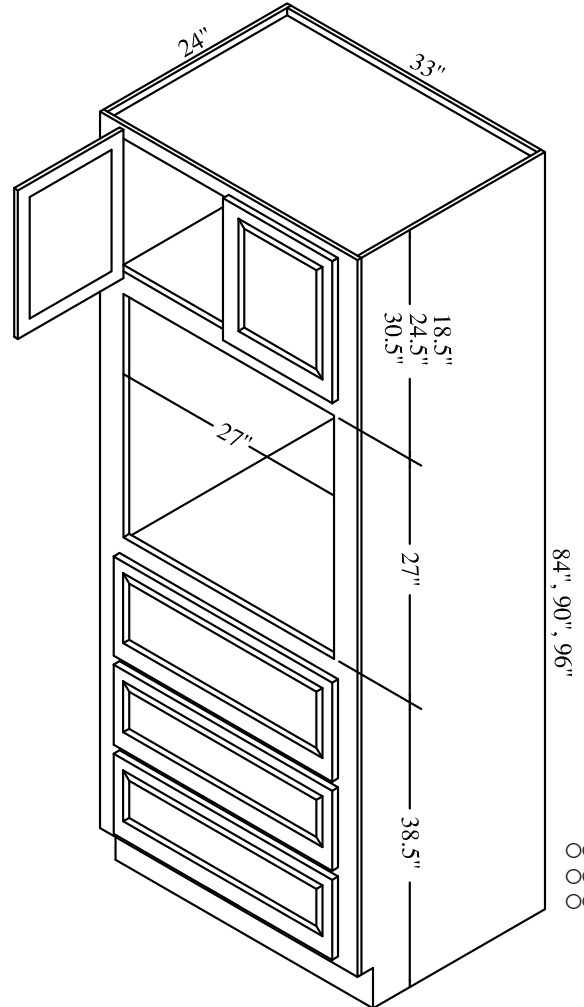
PAN188424
 PAN189024
 PAN189624



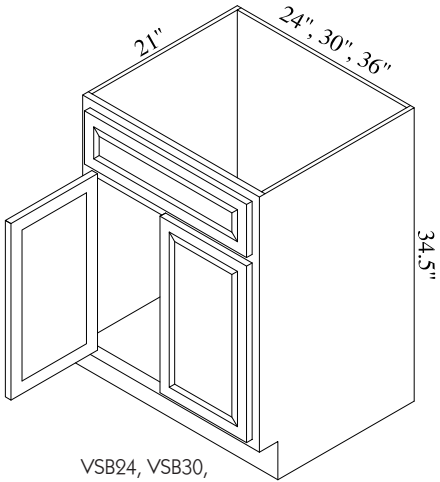
PAN248424
 PAN249024
 PAN249624



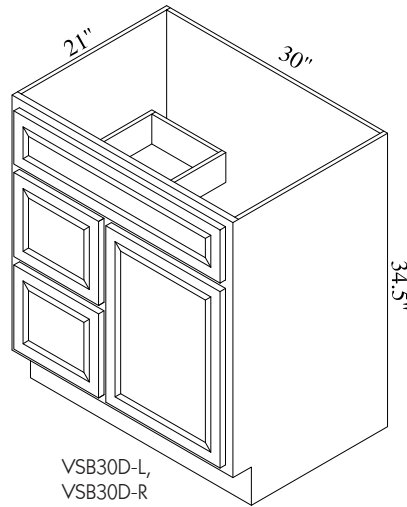
PAN338424D
 PAN339024D
 PAN339624D



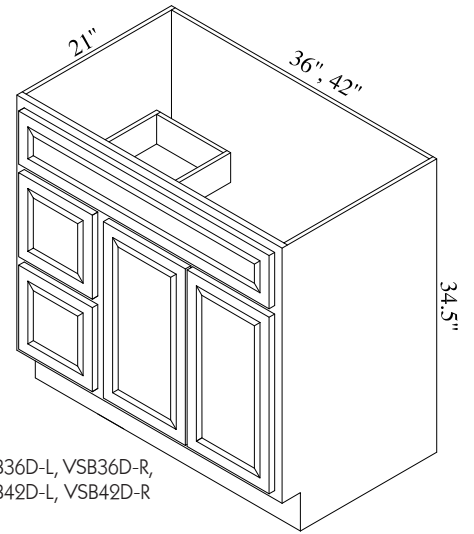
OCD3384
 OCD3384
 OCD3396



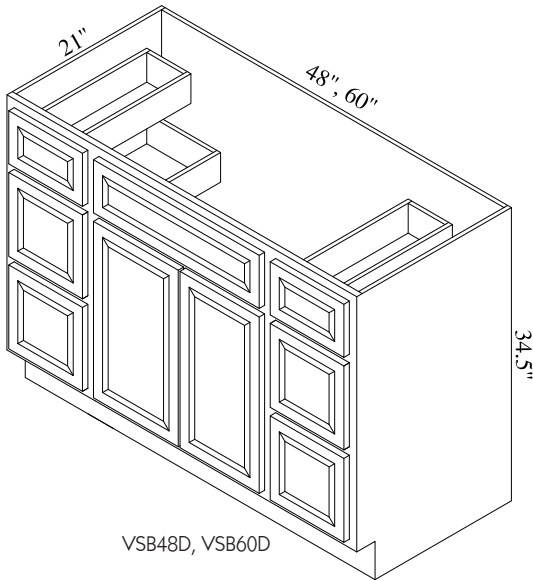
VSB24, VSB30,
VSB36



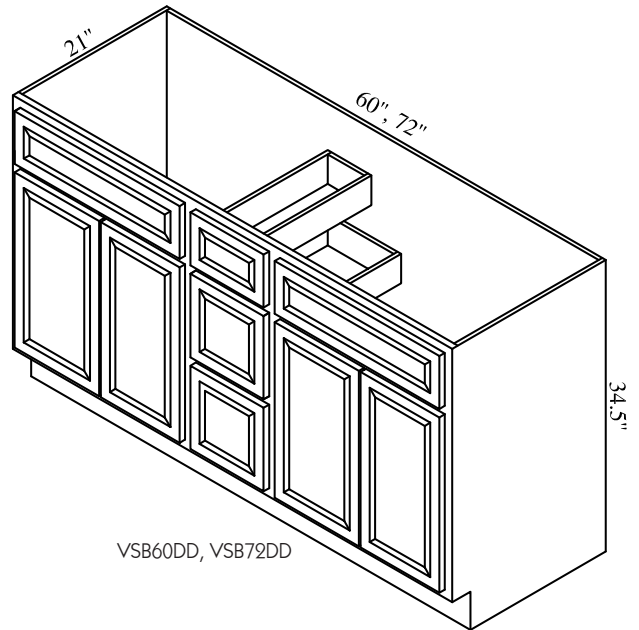
VSB30D-L,
VSB30D-R



VSB36D-L, VSB36D-R,
VSB42D-L, VSB42D-R

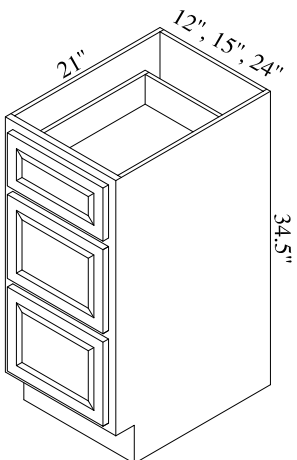


VSB48D, VSB60D



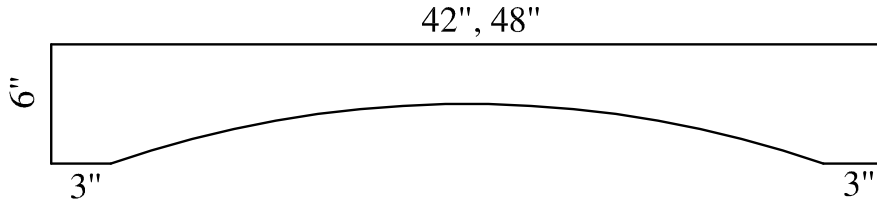
VSB60DD, VSB72DD

Vanity Drawer Base

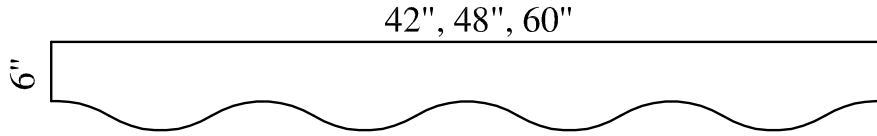


Valances

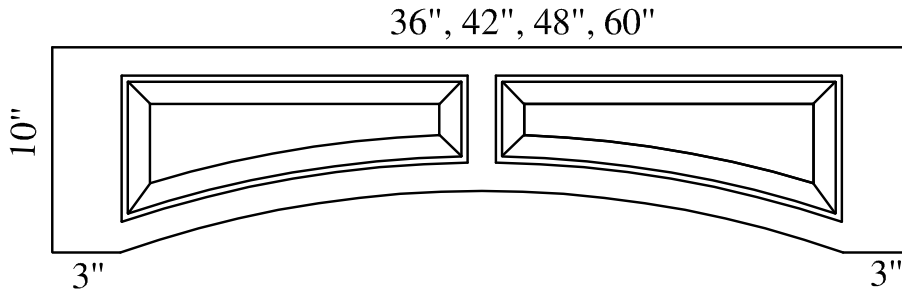
VLSR42, VLSR48



VAS42, VAS48,
VAS60

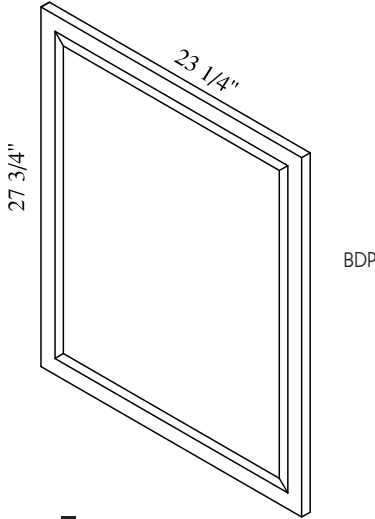
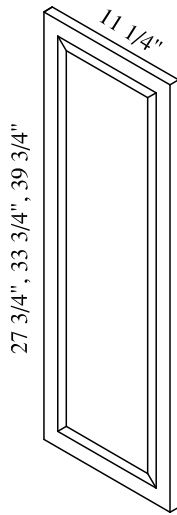


VALP36, VALP42,
VALP48, VALP60

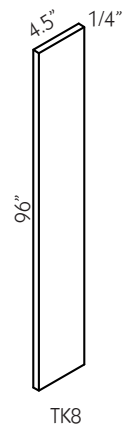
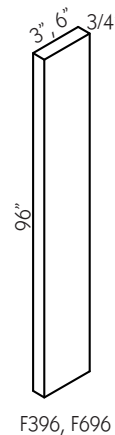
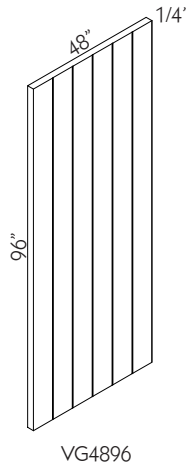
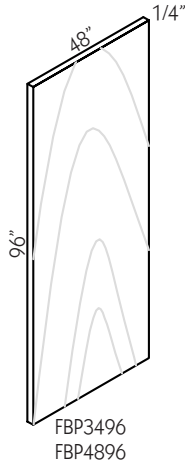
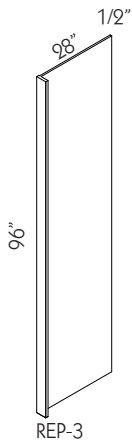
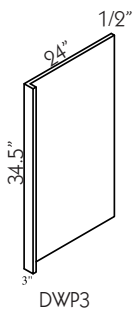


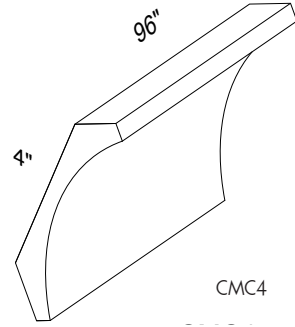
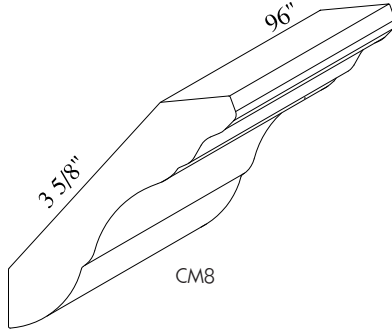
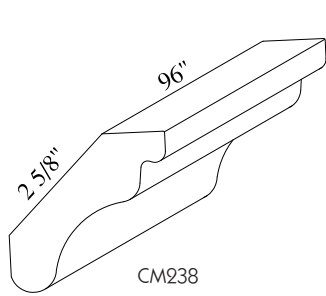
Decorative Panels

WDP1230, WDP1236,
WDP142



Panels

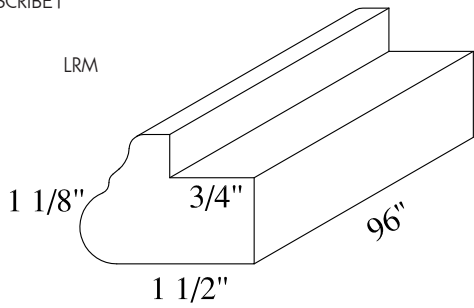




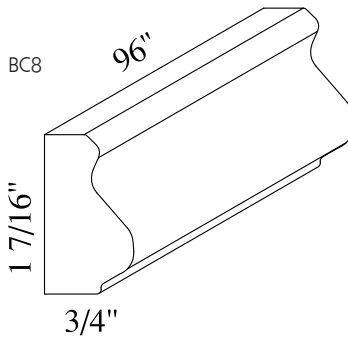
Molding

SCRIBE1

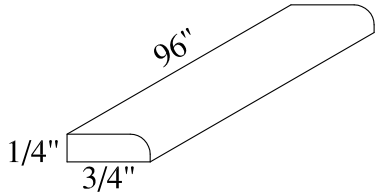
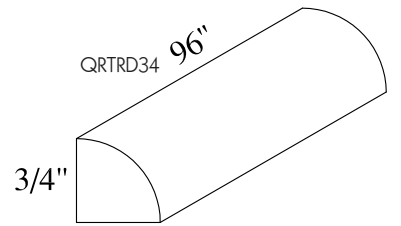
LRM



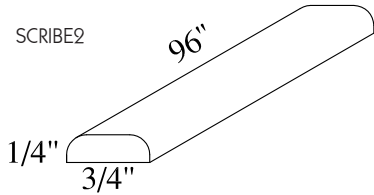
BC8



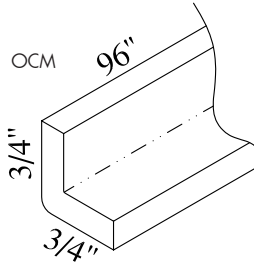
QTRTD34



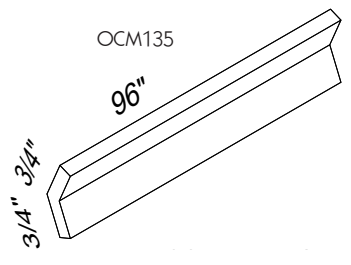
SCRIBE2



OCM



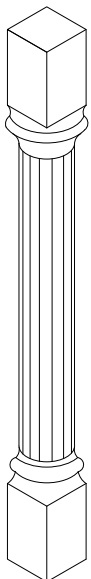
OCM135



Accessories

3"

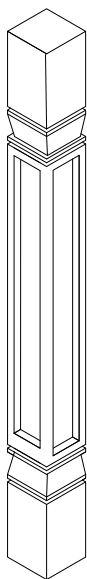
REEDED POST



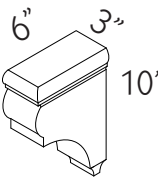
35"

3"

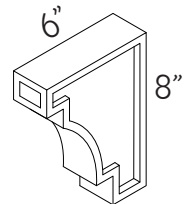
MISSION POST



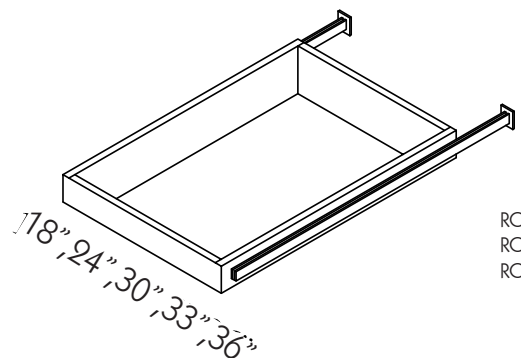
35"



CORBEL 1



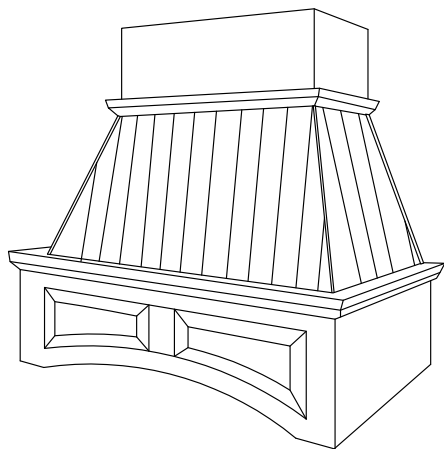
CORBEL 2



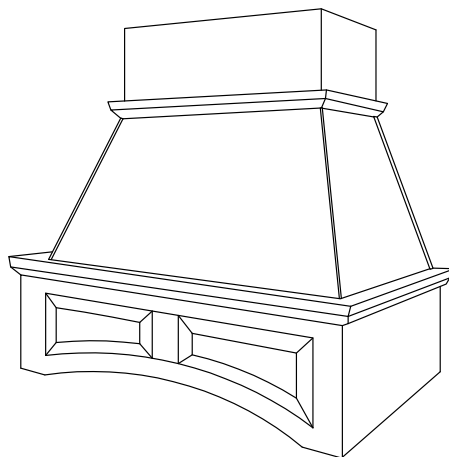
ROT18, ROT24,
ROT30, ROT33,
ROT36

Hoods

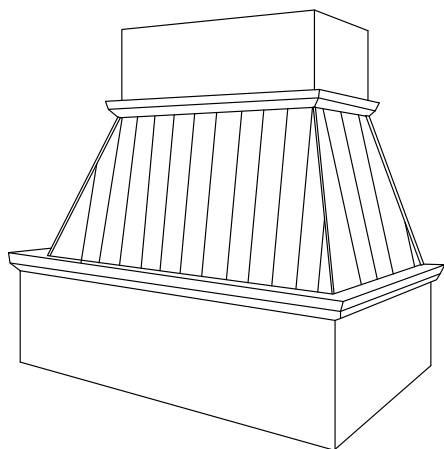
HOOD1



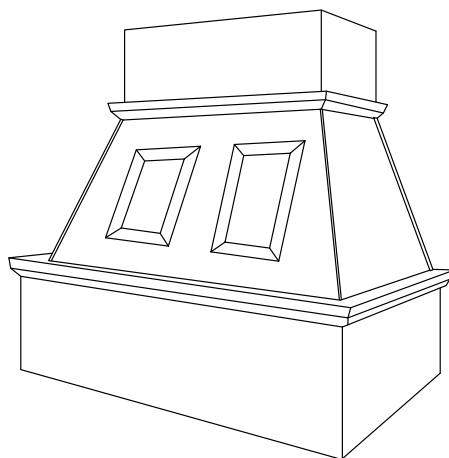
HOOD2



HOOD3

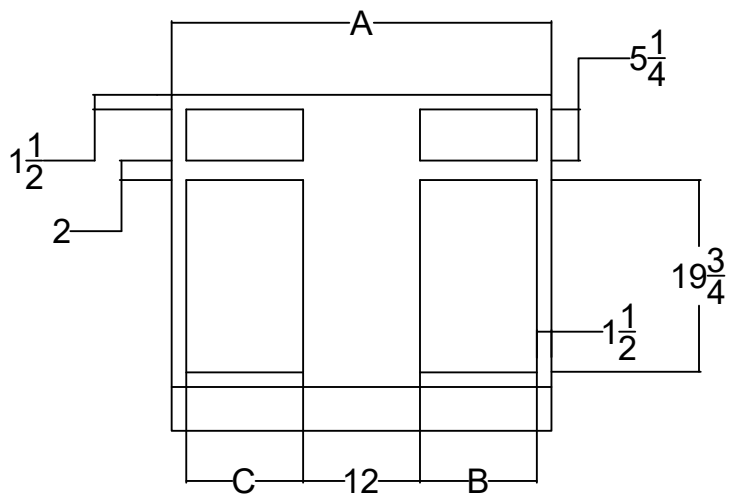


HOOD4



Blind Base Corner (BBC)

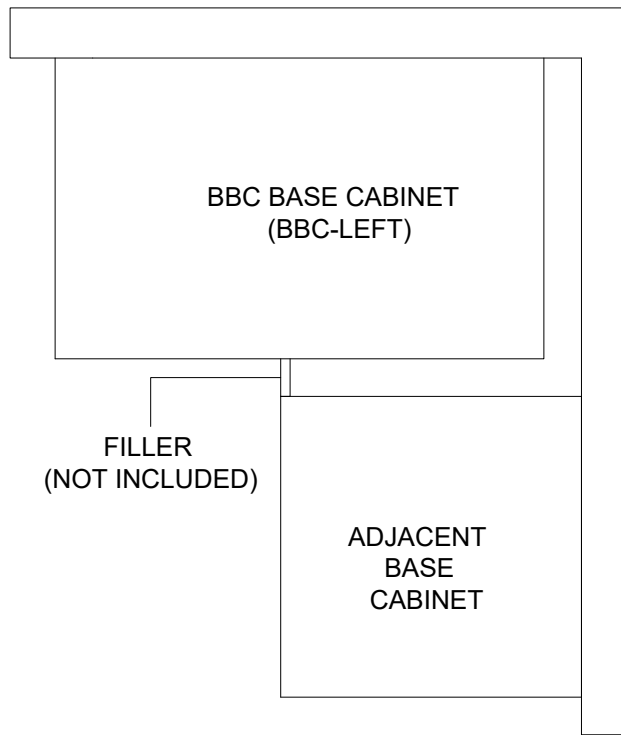
Blind Base Corner Face Frame Opening



Blind Base Corner Size Chart

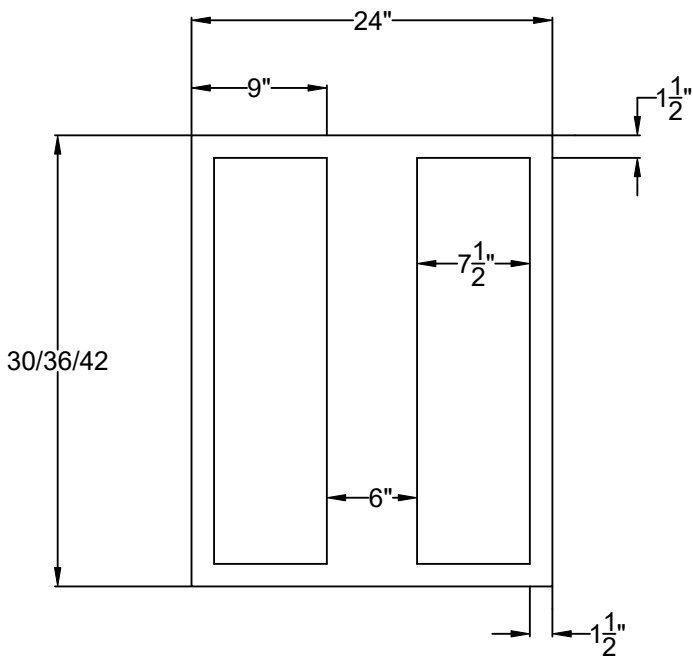
| | |
|-----------------|----|
| BBC 42 | |
| (MIN. Pull 42") | |
| A | 36 |
| B | 12 |
| C | 12 |

| | |
|-----------------|----|
| BBC 39 | |
| (MIN. Pull 39") | |
| A | 33 |
| B | 9 |
| C | 9 |



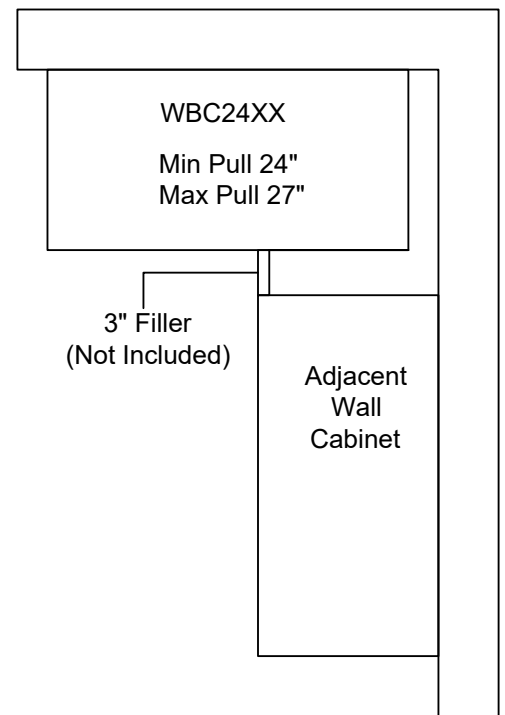
Wall Blind Corner (WBC)

Blind Wall Corner Face Frame Openings

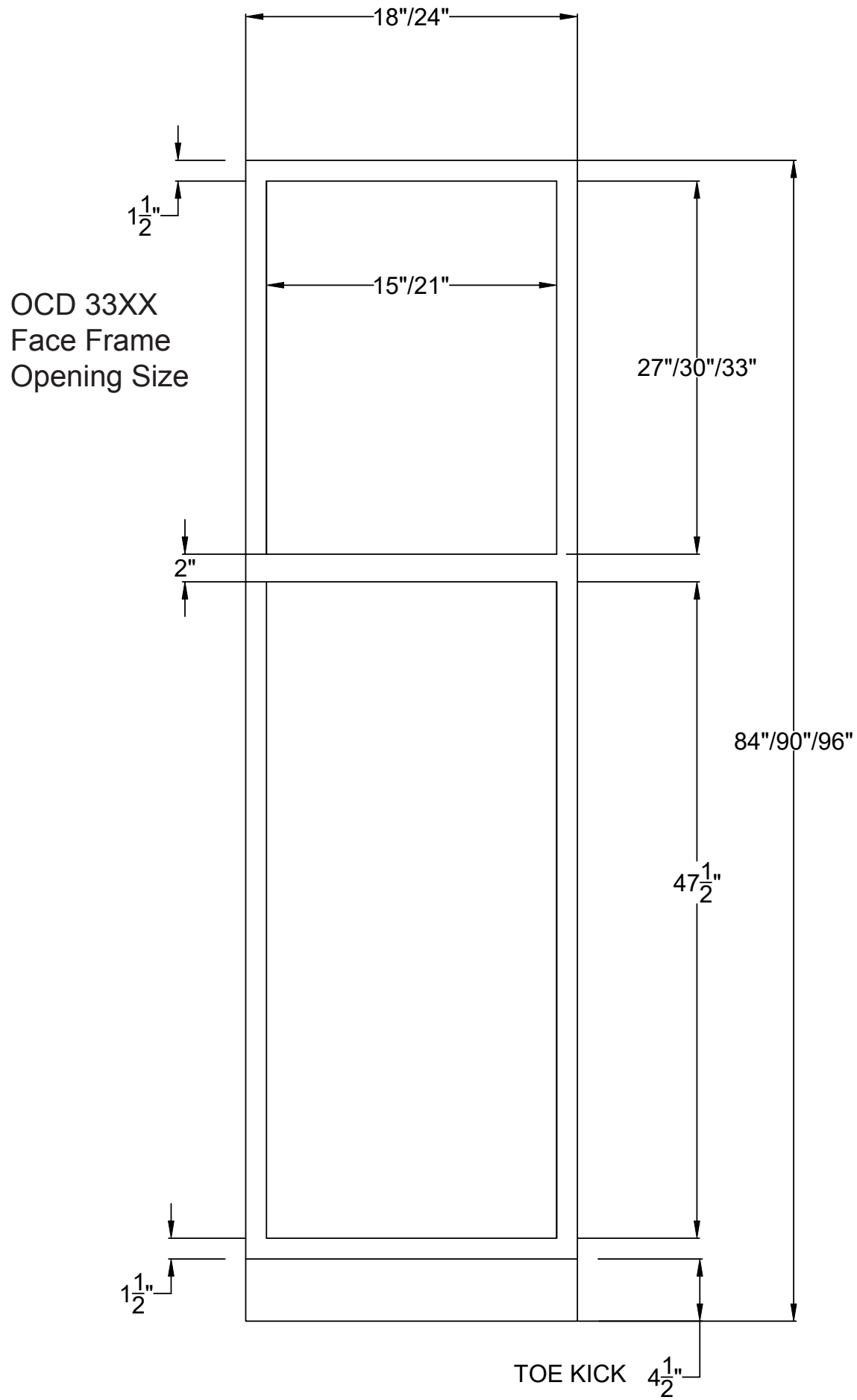


WBC24XX

Wall Blind Corner Illustration



Pantry Cabinet Face Frame Opening



Oven Cabinet Face Frame Opening

